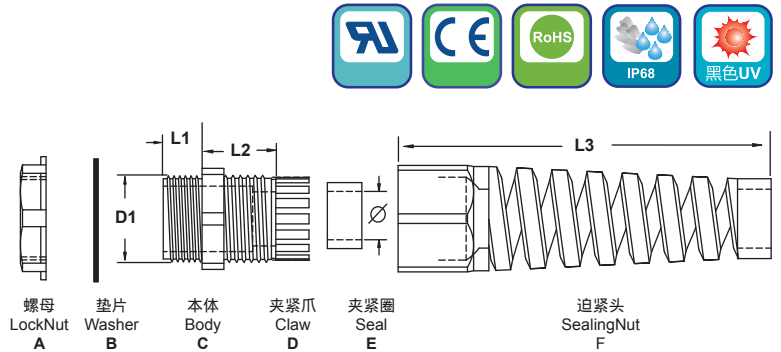
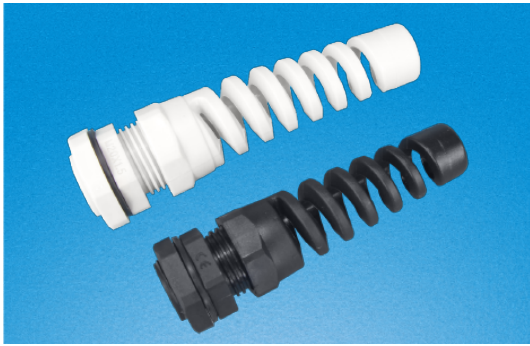


RCCN 日成SR型耐扭电缆防水接头 Strain Relief Cable Gland



螺母规格:公制螺牙(Metric/EN50262), 德制螺牙(DIN PG), 美制螺牙(NPT).
产品材质:A.C.D.F部位均采用环保尼龙原料制成.B耐老化硅橡胶制成.E采用耐油丁腈橡胶制成。

产品认证: 欧洲CE 欧洲环保ROHS,UL尼龙原料。 防火等级:UL94V-2。
防护等级:在规定的卡口范围内,并使用防水垫片及夹紧圈旋紧迫紧头,达到IP68。
颜色种类:灰白色(RAL7035)、黑色(RAL9005)。

使用方法:先将本体穿于机板,再以螺母扭紧固定,线缆穿过迫紧头,扭紧迫紧头将其固定。

工作温度:静态-40°C至85°C。

使用方法:先将本体穿于机板,再以螺母扭紧固定,线缆穿过迫紧头,扭紧迫紧头将其固定。

产品特性:本产品迫紧头为螺旋式结构,用于手控或移动设备防电缆过度弯曲损坏电缆设计用。应用于电缆出线端的固定保护及密封防尘水。

更多选择:加长型螺纹适用于厚机板,另备多种范围夹紧圈,户外用时橡胶需通知更换为耐老化硅橡胶材质-SRH型。型号例: AG-20SRWH

Kind of thread:metric, PG,NPT.

Material:A.C.D.F are made of NYLON .B.E are made of rubber NBR.

Protect grade is upto IP68.

Color:white, black,other color can be manufactured

Use:Make this gland through the tpanel hole,then fixed it with nut,make the cables through the seal nut, fix it with the locknut

单位/Unit:mm

螺纹长度 Thread length	型号 Item No.		螺牙规格 Thread	适用电缆外径 Cable Range Ø	螺纹外径 Thread O.D. D1	机板开孔 Panel Mounting Hole	螺纹长度 Thread Length L1	接合长度 Joint Length L2+L3	板手 Spanner size A&F	包装 Std.Pkg Pcs	
	灰白色 White	黑色 Black									
短螺纹 Short thread	公制螺牙 METRIC										
	AG-12SRW	AG-12SRB	M12×1.5	3-6.5	12	12-12.3	8	65	16/17	50PCS	
	AG-16SRW	AG-16SRB	M16×1.5	4-8	16	16-16.3	8	65	19/20		
	AG-18SRW	AG-18SRB	M18×1.5	5-10	18	18-18.3	8	78	22		
	AG-20SRW	AG-20SRB	M20×1.5	6-12	20	20-20.3	9	90	24		
	AG-22SRW	AG-22SRB	M22×1.5	10-14	22	22-22.3	10	100	27		
	AG-25SRW	AG-25SRB	M25×1.5	13-18	25	25-25.4	10	112	33/34		
	AG-27SRW	AG-27SRB	M27×1.5	13-18	27	27-27.4	10	112	33/34		
	德制螺牙 Germany thread PG DIN										
	PG-7SRW	PG-7SRB	PG7	3-6.5	12.5	12.5	8	65	15/16	50PCS	
	PG-9SRW	PG-9SRB	PG9	4-8	15.2	15.2	8	70	29/20		
	PG-11SRW	PG-11SRBB	PG11	5-10	18.6	18.6	8	78	22		
	PG-13.5SRW	PG-13.5SRB	PG13.5	6-12	20.4	20.4	9	90	24		
	PG-16SRW	PG-16SRB	PG16	10-14	22.5	22.5	10	100	27		
PG-21SRW	PG-21SRB	PG 21	13-18	28.3	28.3	10	112	33/34			
长螺纹 Long thread	公制螺牙 METRIC										
	AG-12SRLW	AG-12SRLB	M12×1.5	3-6.5	12	12-12.3	15	65	16/17	50PCS	
	AG-16SRLW	AG-16SRLB	M16×1.5	4-8	16	16-16.3	15	65	19/20		
	AG-18SRLW	AG-18SRLB	M18×1.5	5-10	18	18-18.3	15	78	22		
	AG-20SRLW	AG-20SRLB	M20×1.5	6-12	20	20-20.3	15	90	24		
	AG-22SRLW	AG-22SRLB	M22×1.5	10-14	22	22-22.3	15	100	27		
	AG-25SRLW	AG-25SRLB	M25×1.5	13-18	25	25-25.4	15	112	33/34		
	德制螺牙 Germany thread PG DIN										
	PG-7SRLW	PG-7SRLB	PG 7	3-6.5	12.5	12.5	15	65	15/16	50PCS	
	PG-9SRLW	PG-9SRLB	PG 9	4-8	15.2	15.2	15	70	19/20		
	PG-11SRLW	PG-11SRLB	PG 11	5-10	18.6	18.6	15	78	22		
	PG-13.5SRLW	PG-13.5SRLB	PG 13.5	6-12	20.4	20.4	15	90	24		
	PG-16SRLW	PG-16SRLB	PG 16	10-14	22.5	22.5	15	100	27		
	PG-21SRLW	PG-21SRLB	PG 21	13-18	28.3	28.3	15	112	33/34		
美制螺牙 America thread NPT											
NPT 3/8SRLW	NPT 3/8SRLB	NPT 3/8"	4-8	17.5	16.5	15	70	19/20	50PCS		
NPT 1/2SRLW	NPT 1/2SRLB	NPT 1/2"	6-12	21.22	21.3	13	92	24			
NPT 3/4SRLW	NPT 3/4SRLB	NPT 3/4"	13-18	26.5	26.6	15	114	33/34			